

# HER101G THRU HER108G



## Glass Passivated High Efficiency Rectifiers

Reverse Voltage: 50 to 1000 Volts

Forward Current: 1.0 Ampere

RoHS Device

Halogen Free

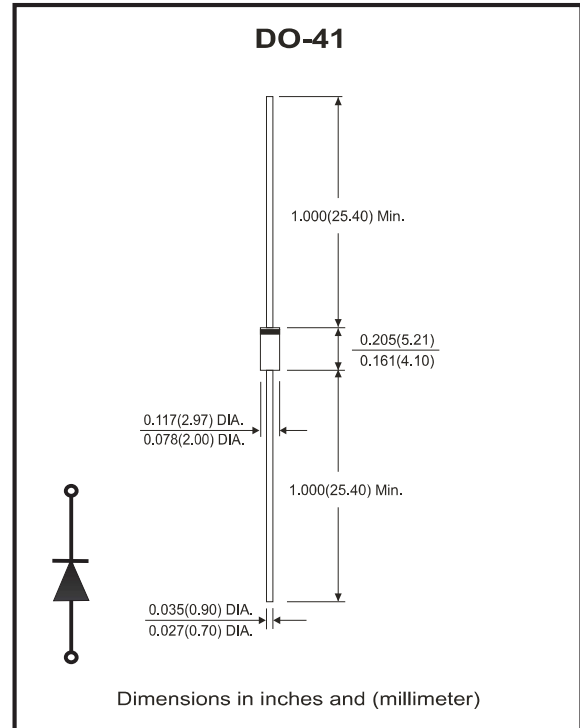


### Features

- Glass passivated chip.
- Low forward voltage.
- High current capability .
- High reliability.
- High surge current capability.
- High speed switching.

### Mechanical data

- Case: JEDEC DO-41 molded plastic.
- Epoxy: UL 94V-0 rate flame retardant.
- Polarity: Color band denotes cathode end.
- Lead: Solderable per MIL-STD-202, method 208 guaranteed.
- Mounting position: Any
- Weight: 0.321 grams(approx.).



### Maximum Ratings and Electrical Characteristics

Ratings at 25°C ambient temperature unless otherwise specified.

Single phase, half wave, 60Hz resistive or inductive load, for capacitive load, derate by 20%

Parameter	Symbol	HER 101G	HER 102G	HER 103G	HER 104G	HER 105G	HER 106G	HER 107G	HER 108G	Unit	
Maximum repetitive peak reverse voltage @I <sub>T</sub> = 5μA	V <sub>RRM</sub>	50	100	200	300	400	600	800	1000	V	
Maximum RMS voltage	V <sub>RMS</sub>	35	70	140	210	280	420	560	700	V	
Maximum DC blocking voltage	V <sub>DC</sub>	50	100	200	300	400	600	800	1000	V	
Maximum average forward rectified current	I <sub>F</sub>	1.0								A	
Peak forward surge current, 8.3ms single half sine-wave superimposed on rated load	I <sub>FSM</sub>	30								A	
Maximum instantaneous forward voltage at specified current	V <sub>F</sub>	1.0			1.3		1.7			V	
Maximum DC reverse current at rated DC blocking voltage T <sub>a</sub> = 25°C T <sub>a</sub> = 100°C	I <sub>R</sub>	5 100								μA	
Typical junction capacitance (Note 2)	C <sub>J</sub>	15					12				pF
Maximum reverse recovery time (Note 1)	t <sub>rr</sub>	50					70				ns
Typical thermal resistance (Note 3)	R <sub>θJA</sub>	50								°C/W	
Operating and storage temperature range	T <sub>J</sub> , T <sub>stg</sub>	-55 ~ +150								°C	

NOTES:

1. Reverse recovery test conditions: I<sub>F</sub>=0.5A, I<sub>R</sub>=1.0A, I<sub>RR</sub>=0.25A(RGI circuit)

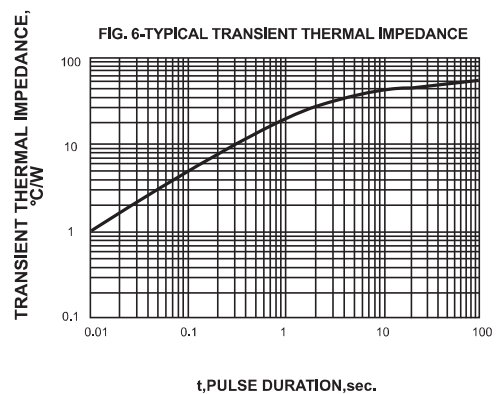
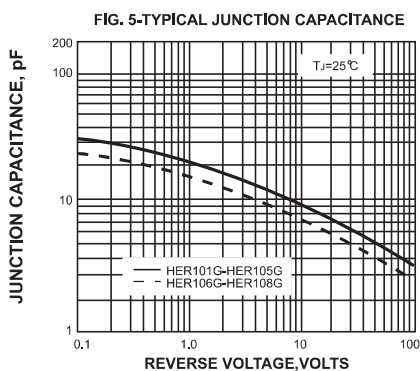
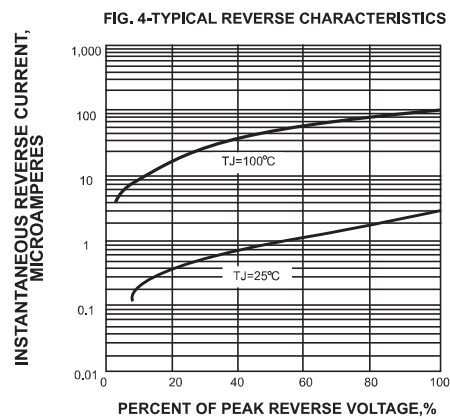
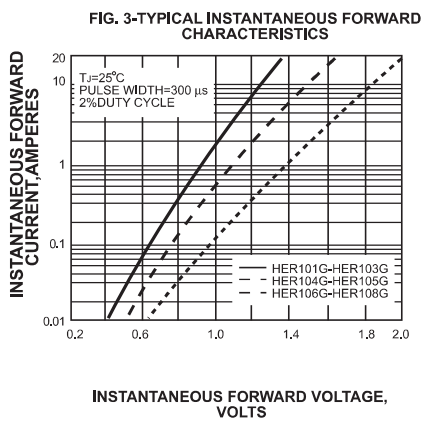
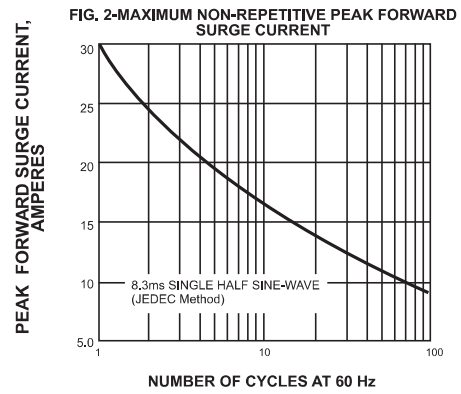
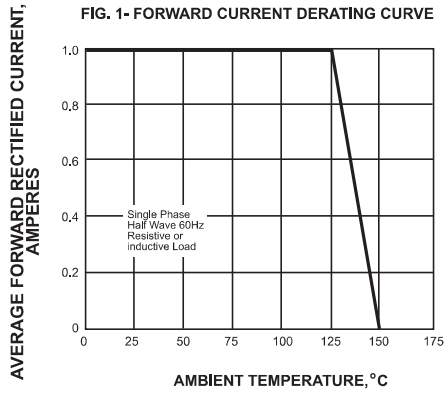
Company reserves the right to improve product design , functions and reliability without notice.

Rev:1.0

# HER101G THRU HER108G



## Rating and Characteristic Curves



Company reserves the right to improve product design, functions and reliability without notice.

Rev:1.0

## Marking Code

Part Number	Marking code	Packaging
HER101G	HER101G	AMMO
HER102G	HER102G	AMMO
HER103G	HER103G	AMMO
HER104G	HER104G	AMMO
HER105G	HER105G	AMMO
HER106G	HER106G	AMMO
HER107G	HER107G	AMMO
HER108G	HER108G	AMMO
HER101GT	HER101G	REEL
HER102GT	HER102G	REEL
HER103GT	HER103G	REEL
HER104GT	HER104G	REEL
HER105GT	HER105G	REEL
HER106GT	HER106G	REEL
HER107GT	HER107G	REEL
HER108GT	HER108G	REEL
HER101GB	HER101G	BULK
HER102GB	HER102G	BULK
HER103GB	HER103G	BULK
HER104GB	HER104G	BULK
HER105GB	HER105G	BULK
HER106GB	HER106G	BULK
HER107GB	HER107G	BULK
HER108GB	HER108G	BULK



**XXX = Product type marking code**

Note:

1) Suffix code after part number to specify packaging item .

Packaging	Code
AMMO PACK	NA
REEL PACK	T
BULK PACK	B

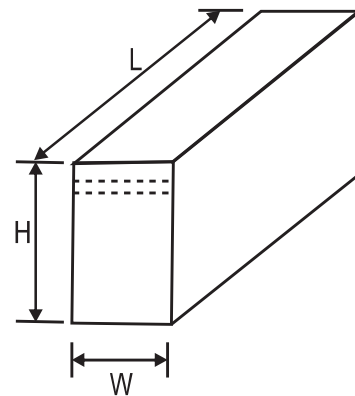
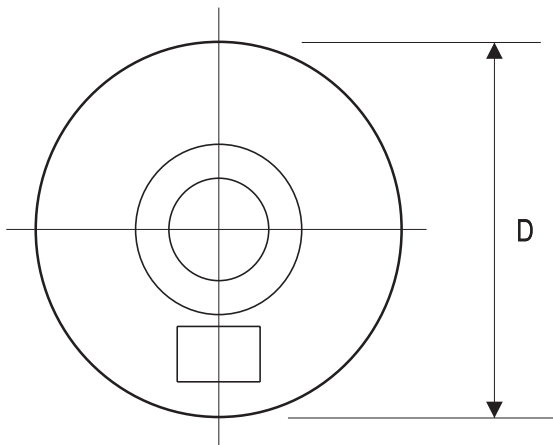
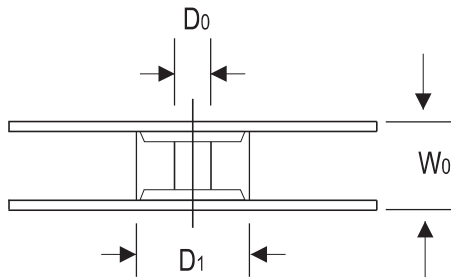
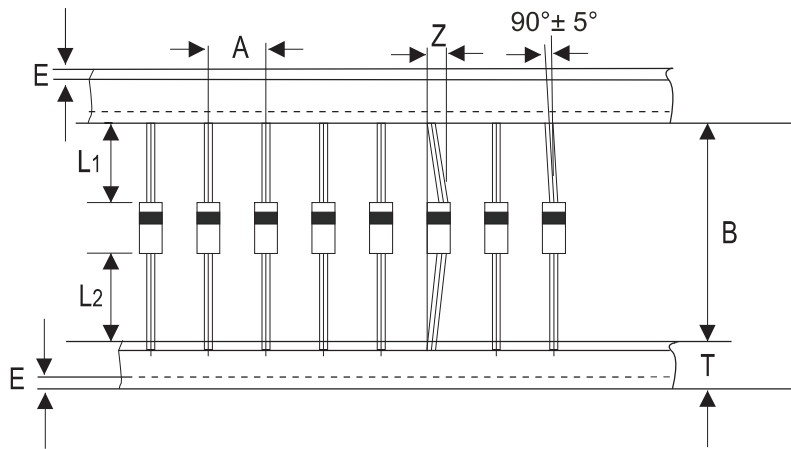
## Standard Packaging

Case Type	AMMO PACK	
	BOX ( pcs )	
DO-41	5,000	

Case Type	REEL PACK	
	REEL ( pcs )	Reel Size (inch)
DO-41	5,000	13

Case Type	BULK PACK	
	BOX ( pcs )	
DO-41	1,000	

## Taping Specification For Axial Lead Diodes



DO-41	SYMBOL	A	B	Z	T	E	L1-L2
	(mm)	5.00 ± 0.50	52.40 ± 1.50	1.60 (max)	6.00 ± 0.40	3.00 (max)	1.00 (max)
	(inch)	0.197 ± 0.020	2.063 ± 0.059	0.063 (max)	0.236 ± 0.016	0.118 (max)	0.039 (max)

DO-41	SYMBOL	D1	D0	D	W0	L	W	H
	(mm)	85.70 ± 0.30	16.60 ± 0.40	330.00	72.00 ± 3.00	260 ± 5.00	75 ± 5.00	145 ± 5.00
	(inch)	3.374 ± 0.012	0.654 ± 0.016	13.000	2.835 ± 0.118	10.236 ± 0.197	2.953 ± 0.197	5.709 ± 0.197

Company reserves the right to improve product design, functions and reliability without notice.

Rev:1.0